



**Model SP-005POE/1000**

**Din-rail Gigabit PoE Surge Protector**

**Product Datasheet**



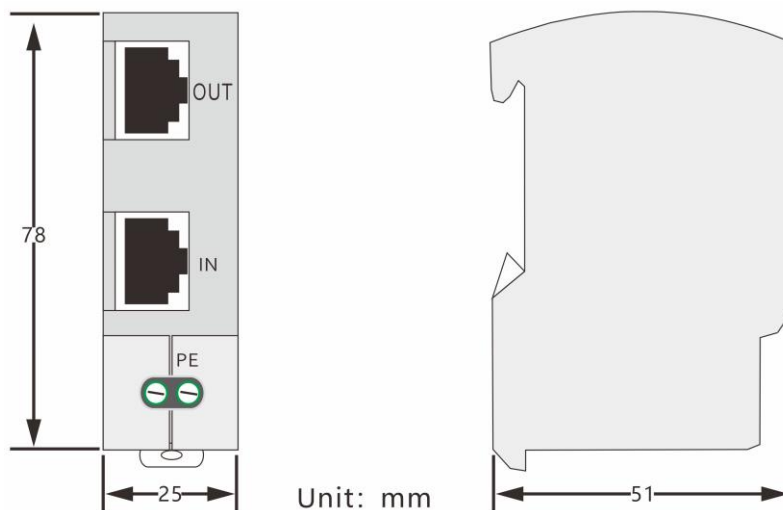
[www.ourten.com](http://www.ourten.com)

**SP-005POE/1000** is Din-rail Gigabit PoE Surge Protector. It protects PoE cameras, PoE switches, servers, modem, network terminals and other network communication equipment in surveillance systems.

## Features

- ◆ Compact size, din-rail design
- ◆ Compatible for 10/100/1000Mbps PoE and network
- ◆ Support 1, 2, 3, 6 or 4, 5, 7, 8 power line protected at the same time
- ◆ Reasonable circuit design, very low insertion loss

## Dimension



**Note: Dimension error value  $\pm 1$  mm**

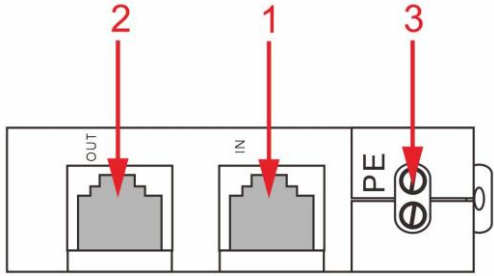
# Technical Parameter

Category	Description	
Interface Type	RJ45	
Protected Signal	Network	Power
Working Voltage Un (V)	5	48
Limited Voltage Up (V)	≤6	≤60
Voltage protection level Up(V)	60	400
Response Time (ns)	≤1	≤ 25
Max Transmission Rate (Mbps)	1000M	
Normal Discharge Current In (kA)	2.5	
Maximum Discharge Current I <sub>max</sub> (kA)	5	
Insert Loss (dB)	≤0.2	
Net Weight (g)	72	
Working Temperature	-40℃ ~ +80℃	
Working Humidity	<95% Non-condensation	

# Installation Diagram



## Installation Instructions

	NO	Step
	1	Connect Cat5/6 cable to IN (1)
	2	Connect the protected device of computer and network switches to OUT (2)
	3	Connect ground lead (3) to the grounding device



Shaoxing Ourten Electronics Co., Ltd.

#1 Liando U Valley, No. 1999 Wuxing West Road, Shangyu, Zhejiang, China

Tel: +86-21-5888 9980 (+86-575-8213 7256); Fax: +86-575-8212 7256

Email: [sales@ourten.com](mailto:sales@ourten.com)

[www.ourten.com](http://www.ourten.com)

Thank you for choosing Ourten!