



Model SP-48DC10

48V Din-rail Surge Protector

Product Datasheet



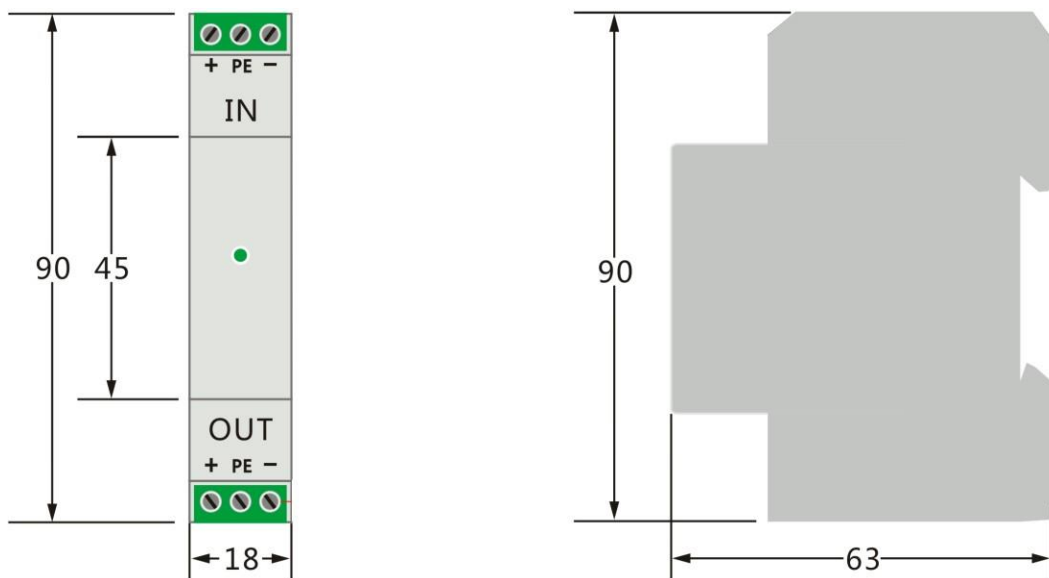
www.ourten.com

SP-48DC10 is 48V Din-rail Surge Protector. It is mainly used to protect electrical equipment from low-voltage AC or DC lightning, including surveillance, communication, electric power, railway, medical and factory automation control systems.

Features

- ◆ Compact size, rail-mounted design
- ◆ Suitable for protecting 48V power line
- ◆ High discharge capacity, low residual voltage and minimal insertion loss
- ◆ Built-in self-restoring discharge element for long service life

Dimension



Note: Dimension error value ± 1 mm

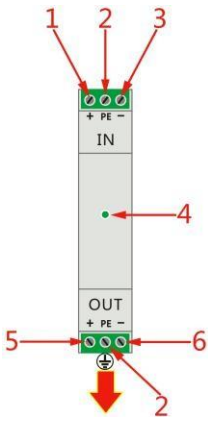
Technical Parameter

Category	Description
Working Voltage U_n (V)	48
Normal Discharge Current I_n (kA)	5
Maximum Discharge Current I_{max} (kA)	10
Response Time (ns)	1
Insert Loss (dB)	≤ 0.2
Weight (g)	100
Working Temperature	$-40^{\circ}\text{C} \sim +80^{\circ}\text{C}$
Working Humidity	$< 95\%$ Non-condensation

Installation Diagram



Installation Instructions

	No	Step
	1	Strip the copper core out of positive pole, place it in the screw clip and fix (1)
	2	Connect the grounding wire, the inlet and outlet wires of the module only need to be connected to the ground side (2)
	3	Strip the copper core out of negative pole, place it in the screw clip and fix (3)
	4	The status indicator light constantly goes on under normal conditions, goes off when fault or failure occurs (4)
	5	Strip the copper core out of the positive pole, place it in the screw clip and fix (5)
	6	Strip the copper core out of the negative pole, place it in the screw clip and fix (6)



Shaoxing Ourten Electronics Co., Ltd.

#1 Liando U Valley, No. 1999 Wuxing West Road, Shangyu, Zhejiang, China

Tel: +86-21-5888 9980 (+86-575-8213 7256); Fax: +86-575-8212 7256

Email: sales@ourten.com

www.ourten.com

Thank you for choosing Ourten!