



Model OT-PLC302C-RS2

Power Line Ethernet Extender

Product Datasheet



CE FC RoHS  

www.ourten.com

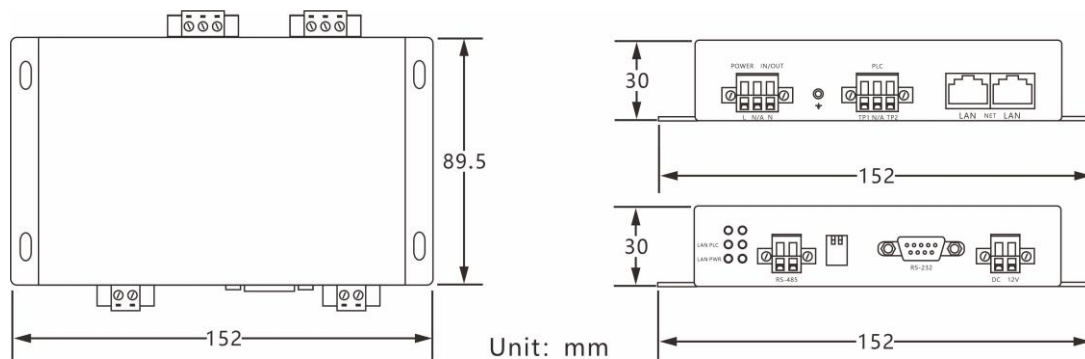
OT-PLC302C-RS2 is a high-speed power line Ethernet extender that can transmit power, Ethernet, and RS232 serial data signals over a 2-wire power line, with a transmission distance of up to 600m.

This device includes both the transmitter and receiver units and features a built-in noise reduction isolation transformer, as well as isolation frequency crosstalk functionality. It is designed to transmit multiple signals over a single 2-wire cable, making it ideal for various medium- and short-distance Ethernet signal transmission applications.

Features

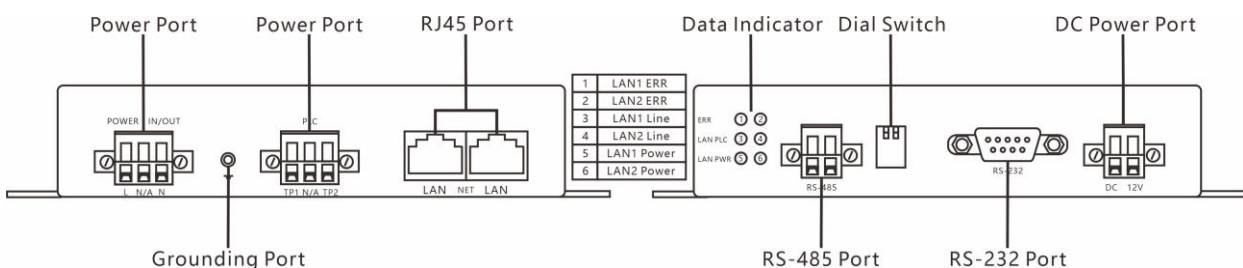
- ◆ Max transmission distance can reach 600m
- ◆ Support RS232 serial data transmission
- ◆ Built-in ESD protection circuit to effectively prevent electrostatic damage
- ◆ Support simultaneous transmission of multiple signals over a single power cable, built-in isolation filter circuit

Dimension



Note: Dimension error value ± 1 mm

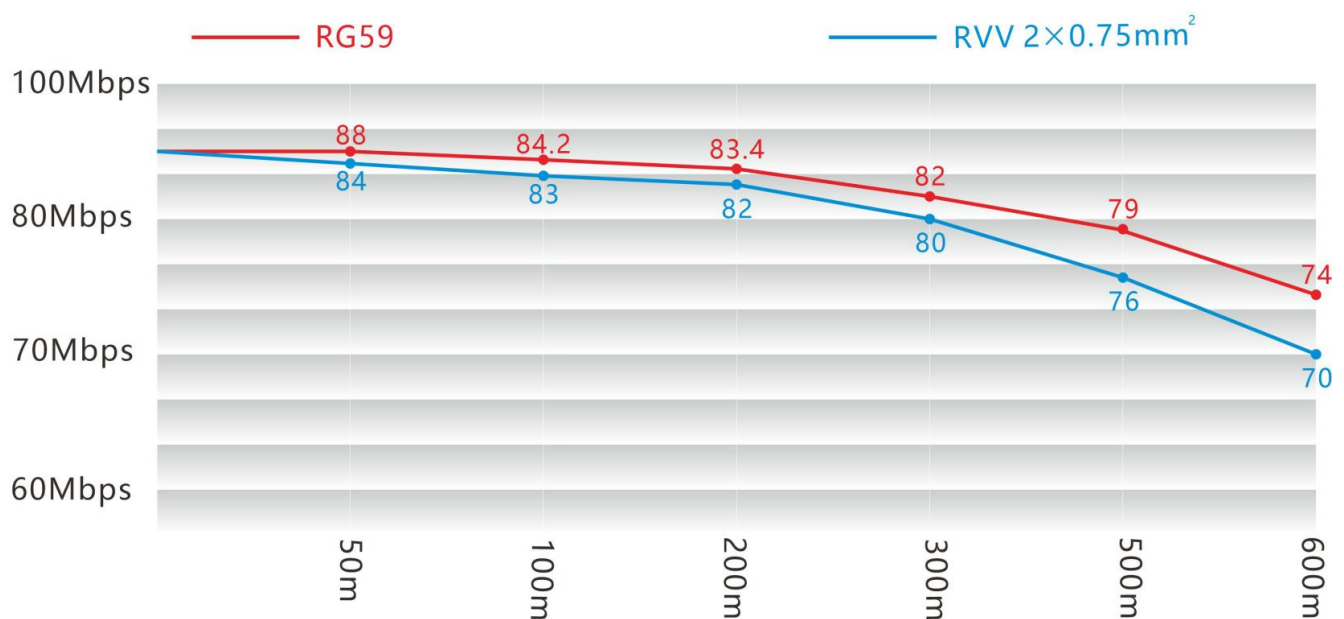
Interface Description



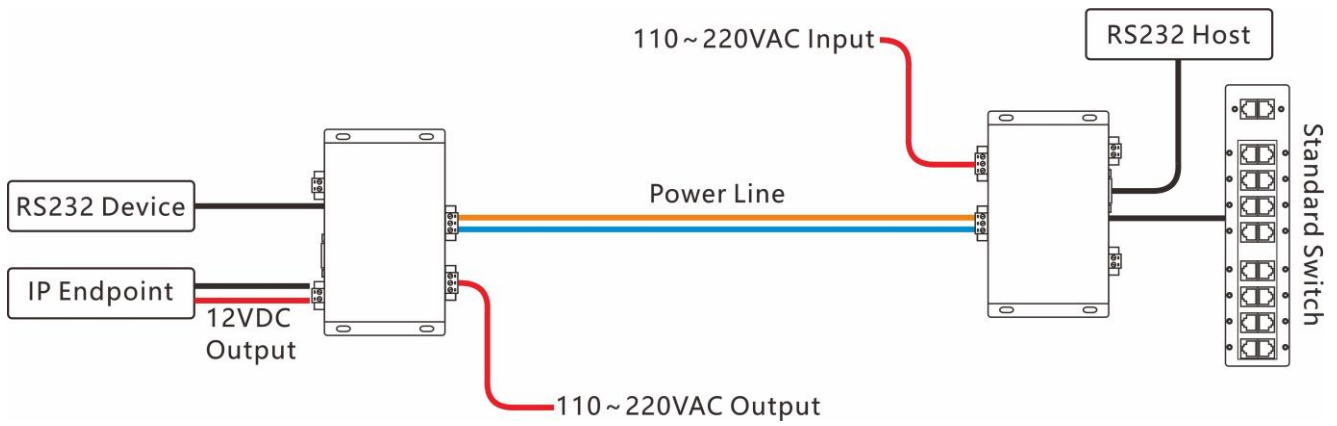
Technical Parameter

Category	Description	
Power	Available Voltage Range	100~240VAC
	Power Consumption	≤5W / PC
	Power Output Transmitter Unit	100~240VAC
	220V Output Current	<10A
	12V Output Current	<1A
Transmission / Rate	Standard Compliance	IEEE1901, IEEE802.3
	RS232 Port Rate	Dial the switch to adjust, support 38400, 56000, 57600,115200
	Up Down Agreement	CSMA/CA
	Network Rate	Full duplex 100Mbps
Physical Characteristic	Dimensions (LxW x H)	89.5x152x30mm
	Material	Aluminum
	Net Weight	480g / PC
Operating Environment	Working Temperature	-20℃~60℃
	Working Humidity	<95% (Non-condensation)

Bandwidth& Distance Chart



Installation Diagram



Shaoxing Ourten Electronics Co., Ltd.

#1 Liando U Valley, No. 1999 Wuxing West Road, Shangyu, Zhejiang, China

Tel: +86-21-5888 9980 (+86-575-8213 7256); Fax: +86-575-8212 7256

Email: sales@ourten.com

www.ourten.com

Thank you for choosing Ourten!