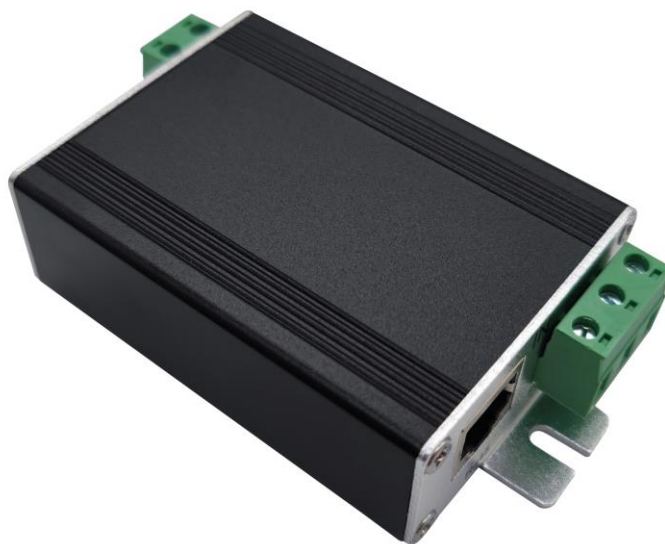




Model SP-005EP

Ethernet / Power Surge Protector

Product Datasheet



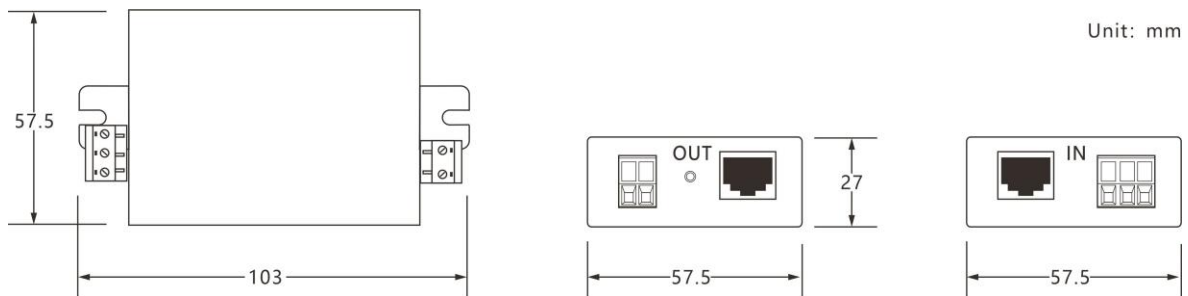
www.ourten.com

SP-005EP is Ethernet & Power Surge Protector. It can protect network and power signals at the same time. It protects IP cameras, network switches, servers, modem, network terminals and other network communication equipment in surveillance systems.

Features

- ◆ Compact size with an aluminum alloy casing, anti-static
- ◆ Suitable for protecting single-port power and network signals
- ◆ High discharge capacity, low residual voltage and minimal insertion loss
- ◆ Built-in self-restoring discharge element for long service life

Dimension



Note: Dimension error value ± 1 mm

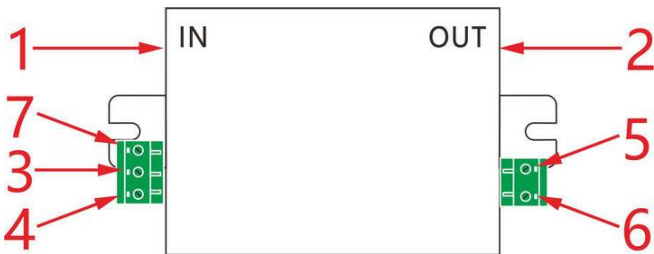
Technical Parameter

Category	Description	
Signal Type	Network	Power
Working Voltage Un (V)	5	12/24
Limiting Voltage Up (V)	20	60
Normal Discharge Current In (kA)	5	
Maximum Discharge Current I _{max} (kA)	10	
Response Time (ns)	1	<25
Insert Loss (dB)	≤0.05	
Transmission Rate (bit/s)	100M	
Terminal Type	RJ45 / screw terminal	
Net Weight (g)	96	
Working Temperature	-40°C ~ +80°C	
Working Humidity	<95% Non-condensation	

Installation Diagram



Installation Instructions

	No	Step
	1	Connect Cat5/6 cable to IN (1)
	2	Connect the protected device of computer and network switches to OUT (2)
	3	Connect low voltage outside line to surge protector positive pole (3)
	4	Connect low voltage outside line to surge protector negative pole (4)
	5	Connect low voltage inside line to surge protector positive pole (5)
	6	Connect low voltage inside line to surge protector negative pole (6)
	7	Connect ground lead (7) to the grounding device



Shaoxing Ourten Electronics Co., Ltd.

#1 Liando U Valley, No. 1999 Wuxing West Road, Shangyu, Zhejiang, China

Tel: +86-21-5888 9980 (+86-575-8213 7256); Fax: +86-575-8212 7256

Email: sales@ourten.com

www.ourten.com

Thank you for choosing Ourten!